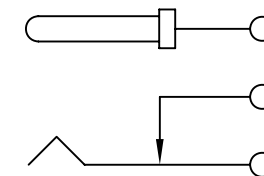
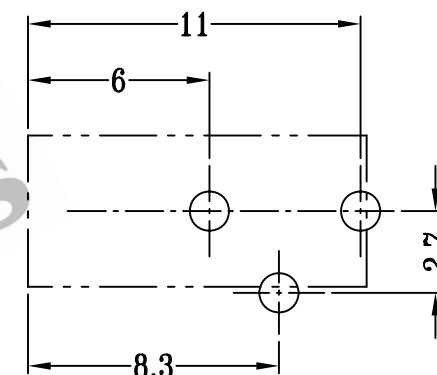
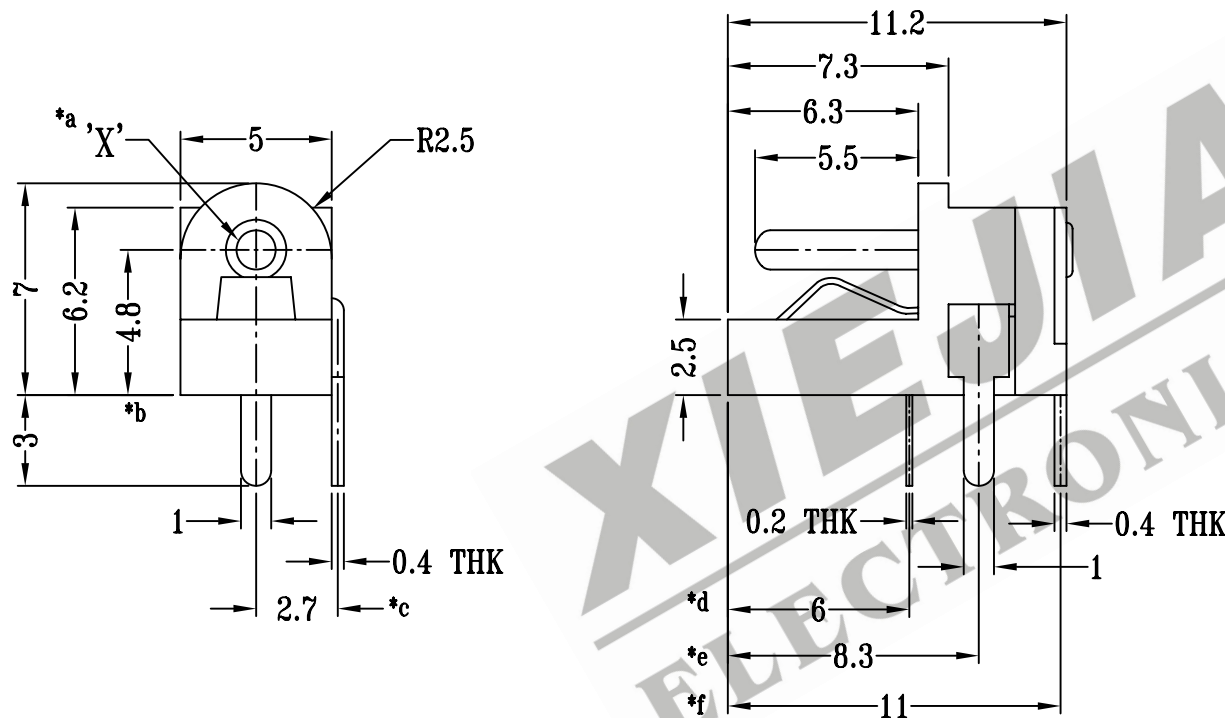


CAD FILE:



SCHEMATIC



P.C.B LAYOUT

DIA. OF PIN 'X' D=1.3mm
DIA. OF PIN 'X' E=1.0mm
DIA. OF PIN 'X' F=1.35mm
DIA. OF PIN 'X' S=0.6mm

注:带*表示关键尺寸(6个)

NO.	PARTS	MATERIALS	Q'TY	FINISH	TOLERANCE UNLESS SPECIFIED	SHENZHEN XIEJIA ELECTRONICS CO.,LTD.				
8						TITLE : DC POWER JACK MODEL: DS-303				
7										
6	CONTACT	BRASS STRIP	1	Ag PLATED OVER Ni PLATED	WITHIN: 1.5±0.1mm OVER : 1.5±0.2mm	ISSUE	DATE	DESCRIPTIONS OF REVISION		APPD.
5	TERMINAL	BRASS STRIP	1	Ag PLATED OVER Ni PLATED				DRWG NO.: XJ-DR-DS303-00		
4	STRING TERMINAL	STAINLESS STEEL	1	Ag PLATED OVER Ni PLATED				UNIT : mm	SCALE: 4:1	
3	COVER	POM	1	BLACK				DWN.	ZHOUYU	2002-10-25
2	CASE	POM	1	BLACK				CHK'D	FANGYING	2002-10-25
1	PLUG PIN	BRASS	1	Ni PLATED				APPD.	KANGXINAN	2002-10-25
					ALL MATERIALS MUST BE COMPLIANT TO ROHS					